



RV Quiet Diesel™ 6000 GenSet



RV GenSet

- Computer-Controlled Variable Speed Operation Matches Engine Speed to Load Demand, Minimizing Noise Level
- Special Sound-Controlling Housing Encloses Cooling System and Muffler
- Three-Point, Fully Focalized Mounting System Reduces Vibration
- Self-Diagnostic Capabilities Simplify Troubleshooting
- Easy, Accessible Maintenance Points
- Runs Two BTU Air Conditioners
- High Quality, Pure Sine Wave Electrical Output Helps Prevent Damage to Appliances

Models and Ratings

Model	Fan	Hz	Watts	Voltage	Amps	Phase	Circuit Breaker
6.0 HDKAH/7044*	Internal	60	6000	120	50	1	2 Pole 30 A

* Includes a 10-amp battery charger.

Weight, Size and Sound Level

Weight: 420 lbs, (191 kg)

Size: Length 36.3 in, width: 23.6 in, height: 22.3 in

Sound: Readings at 10 ft (3 m) half load: 66 dB(A)

Lower than National Park Service Sound Level Requirements (60 dB(A) at 50 ft). Can be used in National Parks.

*Typical installation will further reduce sound level.

Standard Features	3-cylinder diesel engine Permanent magnet alternator Pure sine wave output Digital voltage regulation w/no adjustments required Bottom air inlet and outlet Integral enclosed muffler with stationary exhaust pipe connection point USDA-approved spark arrestor Internal radiator Sound-insulated cover with cooling air inlet and outlet ducts Intake silencer Heavy-duty air cleaner Maintenance-free electronic governor Fused DC circuits Automotive type starter	Meets applicable U.S. EPA and California emissions standards Waterproof connector for remote operation Focalized mounting system Overvoltage, low oil pressure, overtemp, overspeed, and overload safeties Bulkhead type connections for fuel and battery Terminal block connection for AC output Electric fuel pump Fuel filter Full flow oil filter Service and maintenance from below Automatic timed glow plugs for quick, easy start Instant one-touch stop Hourmeter
--------------------------	---	--

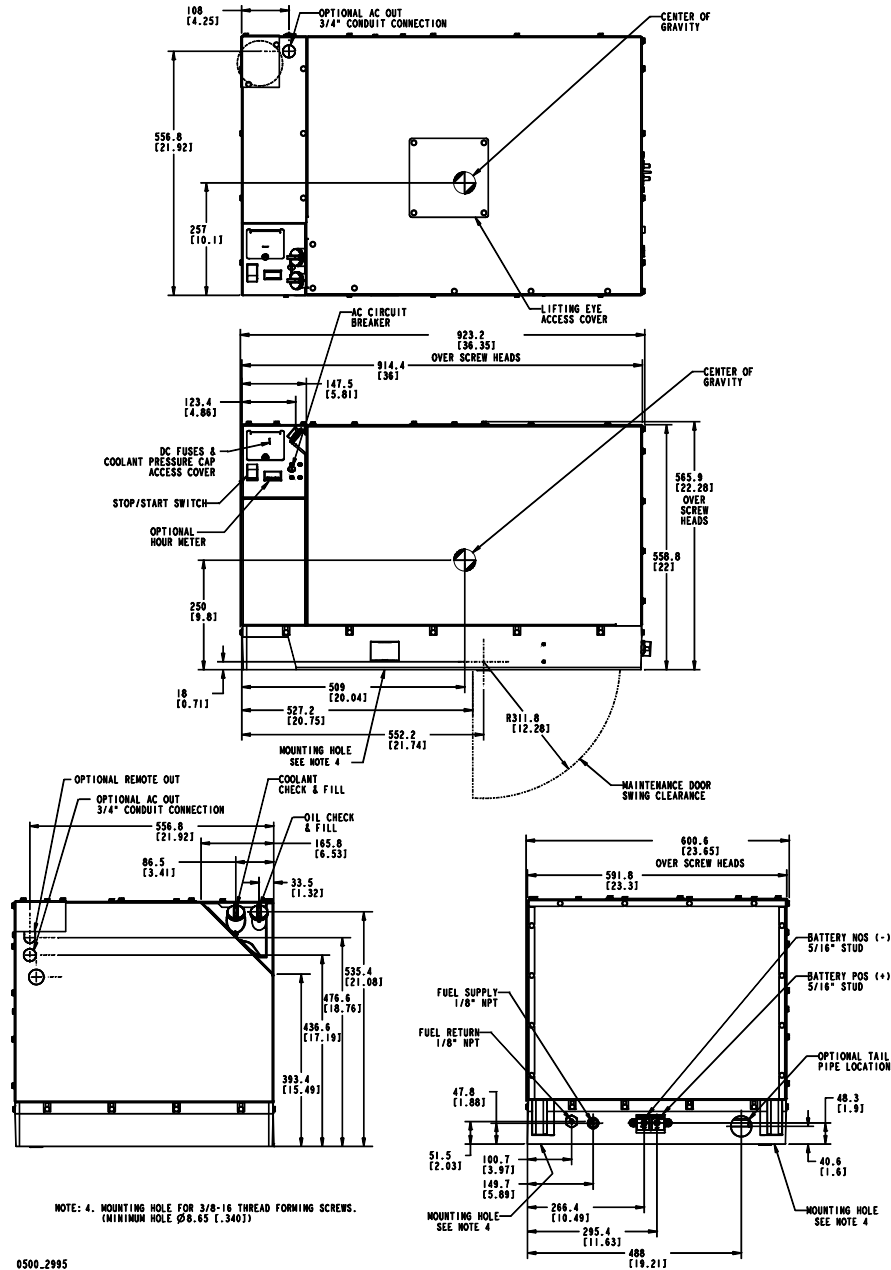
Control System	Microprocessor control Integrated generator and engine control User and service personnel accessible diagnostics Fused DC circuits Overvoltage safety	Low oil pressure safety Overspeed safety Overload safety Automatic timed glow plugs One-touch stop
-----------------------	---	--

Engine Detail	Design: 4-cycle, liquid-cooled diesel engine Cylinders: 3, Inline vertical Bore: 67 mm (2.64 in) Stroke: 68 mm (2.68 in) Displacement: 719 cc (43.88 cu in) Compression Ratio: 23 to 1 Lube Oil Capacity: 2.8 qt (2.61 L) Average Fuel Consumption:	Cooling System Capacity: 4 qt (4.21 L) Power (max) @ 3600 rpm: 16.6 hp (12.4 kW) SAE Net Intermittent Starting System: Remote, 12 V Fuel Injection Pump: Bosch MD type Combustion Chamber: Spherical (TVCS)																					
	<table border="0"> <tr> <td>Diesel</td> <td colspan="2"><u>No Load</u></td> <td colspan="2"><u>Half Load</u></td> <td colspan="2"><u>Full Load</u></td> </tr> <tr> <td></td> <td>gal/h</td> <td>l/h</td> <td>gal/h</td> <td>l/h</td> <td>gal/h</td> <td>l/h</td> </tr> <tr> <td>6.0HDKAH</td> <td>0.13</td> <td>(0.49)</td> <td>0.40</td> <td>(1.5)</td> <td>0.70</td> <td>(2.65)</td> </tr> </table>	Diesel	<u>No Load</u>		<u>Half Load</u>		<u>Full Load</u>			gal/h	l/h	gal/h	l/h	gal/h	l/h	6.0HDKAH	0.13	(0.49)	0.40	(1.5)	0.70	(2.65)	
Diesel	<u>No Load</u>		<u>Half Load</u>		<u>Full Load</u>																		
	gal/h	l/h	gal/h	l/h	gal/h	l/h																	
6.0HDKAH	0.13	(0.49)	0.40	(1.5)	0.70	(2.65)																	

Generator Detail	Design: Onan, permanent magnet Insulation System: Class H Exciter System: None	Brushes: None Bearings: None Cooling: Main engine fan cooled
-------------------------	---	---

GenSet Performance	Voltage Regulation No Load to Full Load: ± 1% Frequency Regulation No Load to Full Load: ± 0.1% Random Frequency Variation for Constant Loads: ± 0.5% Random Voltage Variation for Constant Loads: ± 2% Maximum Operating Ambient: Efficient radiator cooling system permits operation at ambient temperatures to 120°F	Air Conditioner Operation: Will operate with two 15000 BTU air conditioners and an additional load of up to 1600-watt at 100° F and 500 ft altitude.
---------------------------	--	---

Basic Dimensions



Conventional Compartment Mount

Accessories

- Exhaust elbow (P/N 155-2982)
- Exhaust adapter - 7 in (P/N 155-2424)
- Exhaust adapter - 3 in (P/N 155-2610)
- Battery, 12 V, 475 CCA at 0°F (-17.8°C) (P/N 416-0795)
- Remote wiring harnesses for use with remote panels:
 - 10 ft (P/N 338-3490-01)
 - 30 ft (P/N 338-3490-02)
- Remote control pigtail (P/N 300-4947)
- Remote control panels
 - Switch only (P/N 300-4942)
 - Switch and hourmeter (P/N 300-4943)
 - Switch and DC voltmeter (P/N 300-4944)
 - Full gauge panel (P/N 300-5027)

Note: Protected by one or more of the following patents: US 5,006,781, US 5,158,208, US 5,096,153, US 5,175,458, US 5,240,222. Other patents pending.

Onan Testing for RV Application

Tested at extremes of temperature -20° F (-29° C) to 120° F (49° C) for starting and operation.
Tested with RV loads, air conditioners, microwaves, converter, TVs, VCRs.
Tested installed. Onan owns RVs used for product development testing.
Tested in high humidity conditions.
Tested in salt spray conditions.
Tested in heavy airborne dust conditions.
Field Test program.
60 Hz (120V only) models listed by SGS United States Testing Company, Inc. per ANSI/EGS-1 and CSA-certified per Electrical Bulletin 946.
Ratings apply to altitudes up to 500 ft (150 m), 85° F (29° C) ambient with muffler, in RV enclosure. (Standard cooling, 100°F (38°C) ambient with No. 2 diesel fuel).
60 Hz models meet applicable U.S. EPA and California emissions standards.



Warranty Policy

The Onan Limited Warranty covers virtually everything except routine maintenance for the first two years you own your RV generator set, and covers parts and labor on major power train and generator set parts during the third year. In addition, it also includes a free 90-day adjustment policy, which provides that Onan will make minor adjustments to your new genset during the first three months you own it - free of charge! Please note: The Onan 3-year Limited Warranty applies to RV generators used in RV applications only, and does not apply to RV generators used in commercial mobile applications.

For complete Onan Limited Warranty details see your Onan Distributor or Certified Onan Service Dealer.

After Sale Support

For your ongoing satisfaction and the dependability of your Onan RV generator, Onan offers a complete line of replacement and tune-up parts and oil and maintenance chemicals specifically designed for RV generators. Easy to find at certified Onan RV Service and Parts Dealers coast-to-coast, Onan Green Label Parts™ are packaged for correct selection and convenient on-board storage.

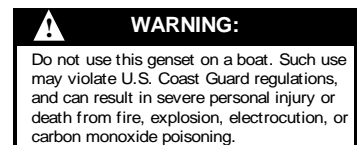
EASY TO LOCATE ONAN CERTIFIED RV SERVICE AND PARTS DEALER - Onan has trained, tested, and certified over 1000 dealers covering most major metropolitan areas in the U.S. and Canada. To easily locate a certified dealer, no matter where you travel, call 1-800-888-ONAN and ask us to send you an RV Service and Parts Dealer Directory (F-919) or visit www.onan.com.



See Your Onan Distributor:



Cummins Power Generation
1400 73rd Avenue N.E.
Minneapolis, MN 55432
763.574.5000 •
1-800-888-ONAN •
Fax 763.574.8289 •
www.onan.com



Cummins Power Generation is a subsidiary of Cummins Inc. Onan is a registered trademark of Cummins Inc.

WARNING: Backfeed to a utility system can cause electrocution and/or property damage. Do not connect to any building electrical except through an approved device or after building main breaker is open.